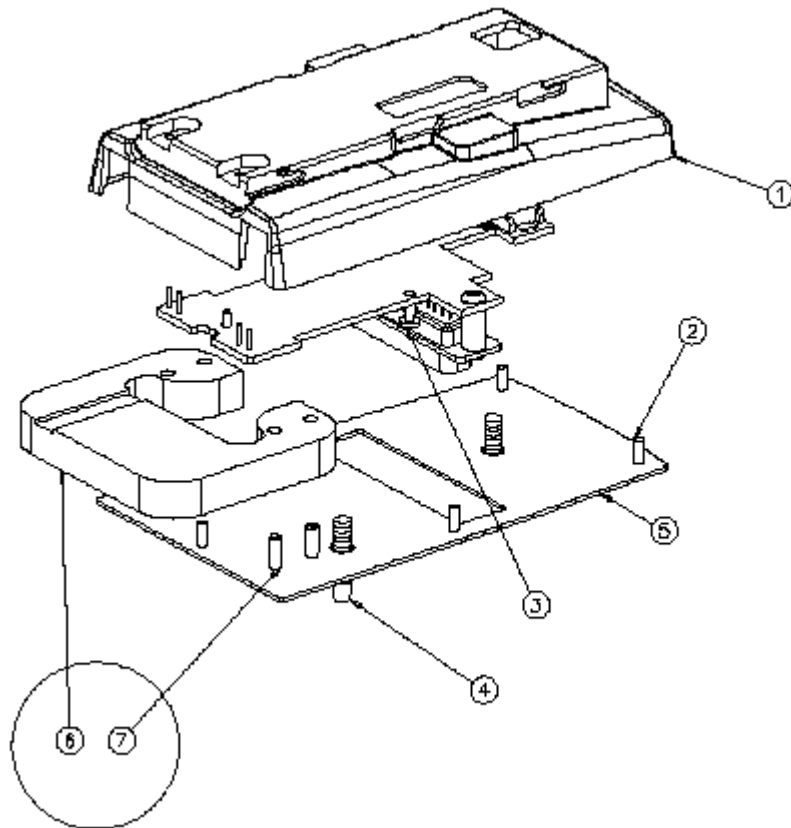


Exploded view



Item	Description
1	MJF-9 upper cover
2	MJF-9 screws for MJF-9 assembly
3	MJF-9 PWB
4	MJF-9 fixation to JBV-1
5	MJF-9 lower cover
6	HCA-1
7	HCA-1 screws for fixing to MJF-9



RF: XRC-1B (0730128)



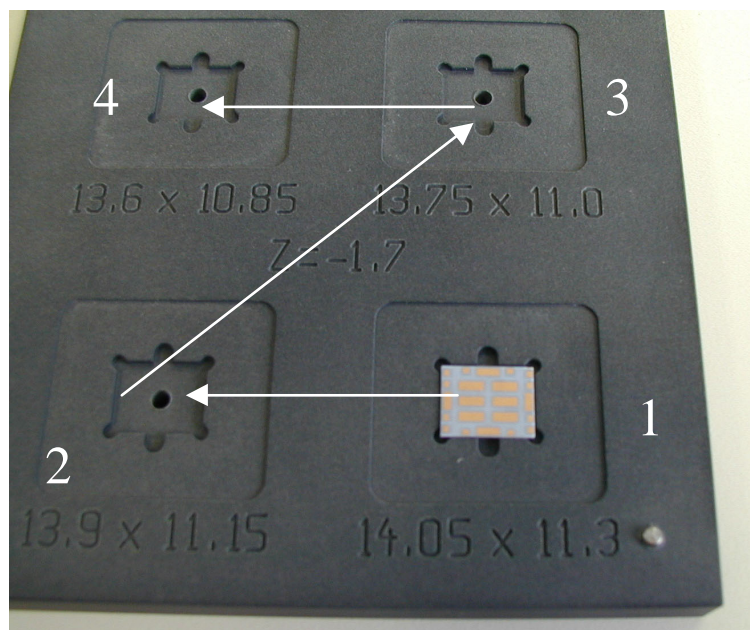
LRK-2 / 3 LGA component rework kits 1 & 2

Type designator	Description	Part code
LRK-2 (0273645) Kit 1		
MJS-76	LGA Re-work Jig	0770417
SES-2	Stencil	0770415
SPS-2	Spreader	0770471
LRK-3 (0273646) Kit 2		
SES-2	Stencil	0770415
SPS-2	Spreader	0770471

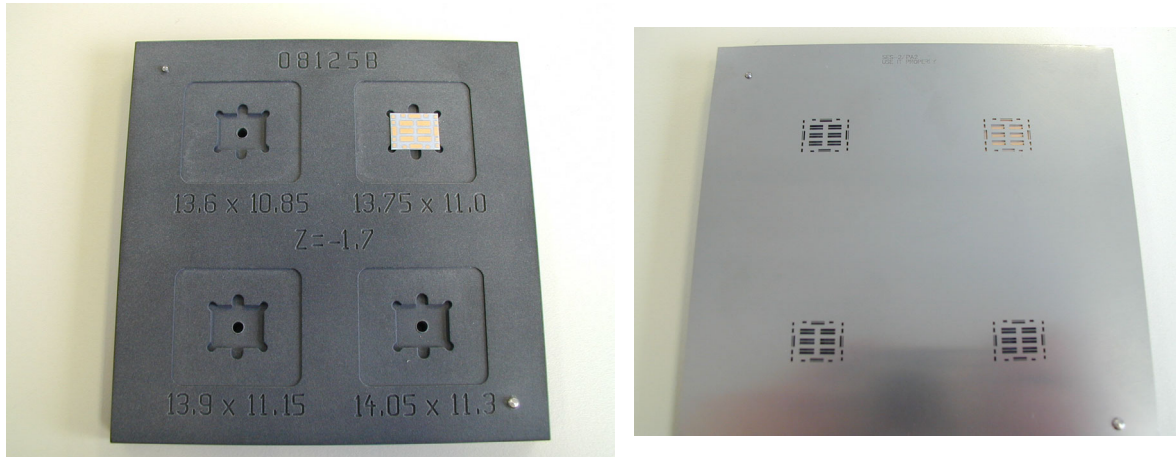
Rework procedure

Due to the large mechanical tolerance of the power amplifiers the following procedure is necessary:

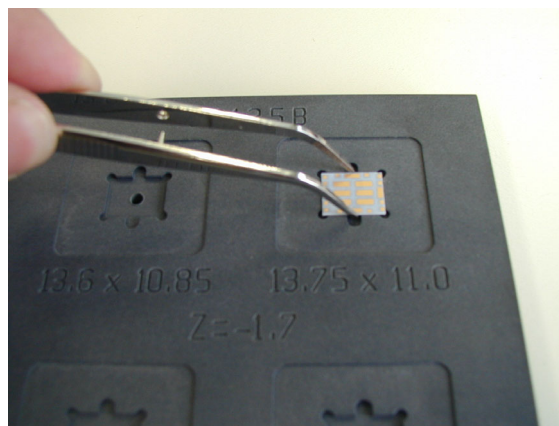
- 1 Put power amplifier into the MJS-76 re-work jig, the PA should be placed in the best fit location, this is determined by firstly placing it in the largest location if this is to large re-position the pa in the next size location, this should be carried out until the best fit location is found.



- 2 Once the best fit location has been found, leave the PA there and put stencil on top of the jig and PA.



- 3 Put soldering paste on the PA properly.
- 4 Remove stencil and the PA from the jig.



- 5 Start soldering process.

MJS-76 PA LGA re-work jig (Product code 0770417)

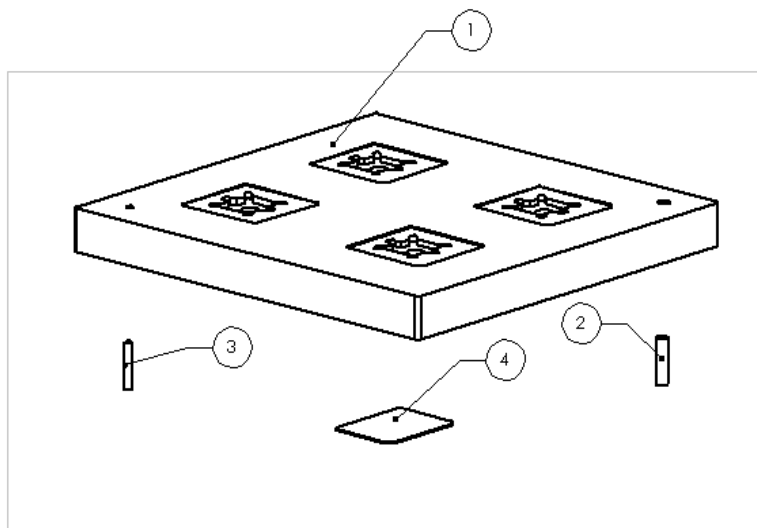
Introduction

This tool is used in LGA type component reworking purposes in central service centers,

Part list

Part number	Name of Part	Material code	Drawing number	Qty
1	Frame		SME5S910	1
2	Cylindrical pin 3x12	640b003		1
3	Cylindrical pin 2x12	640B012		1
4	Type label	9380601		1

Exploded view



This page intentionally left blank.